

DIN PN 25 - 40 — DN 15 to 25 mm
ANSI 250 — 1/2" to 1"

TN 35

Application

The muffler is an equipment used so much when is desired to set the noise level in a industrial plant, due to steam traps discharge (stem or compressed air).

Presentation

The muffler is indicated, for steam traps with discharge to atmosphere and are of the type intermittent.

Installation

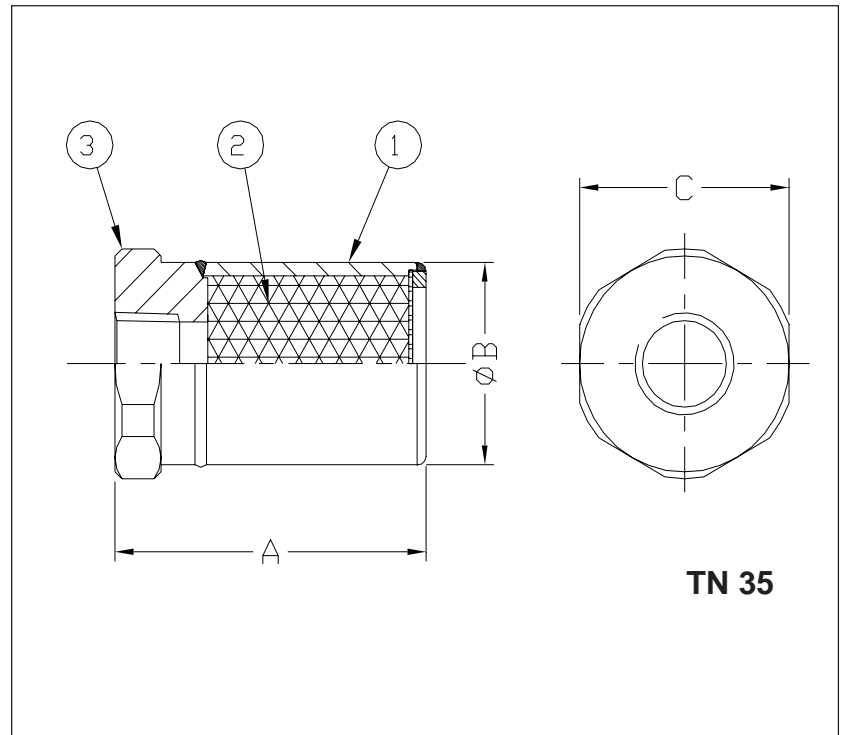
The muffler is assembled in the outlet of the steam trap and preferentially with the outlet turned to downstrairs to avoid accidents.

Operation

The stainless steel wires are used in the muffler fillinf, cushion the high discharge speed and decrease the noise, guaranteeing a softer discharge and more operational security.

Measures and weights

Model	TN 35
Measures (mm)	
A	67
B	42
C	48
Approx.weight (Kg)	0,35



Technical competence ,materials and connections

Model		TN 35		
Nominal Diameter	(mm)	15	20	25
	(pol)	1/2"	3/4"	1"
Maximum service prerssure	(bar man.)	40		
Maximum allowable temp.	(°C)	350		
Materials	N°	Description	Quant.	Specification
	1	Body	1	AISI 316
	2	Filler wire	—	Stainless steel
3	Welded cover	1	AISI 316	
Connections	Thread	BSP/NPT		

Data for sizing

ASCA will make pleasure the sizing.

For this purpose must be supplied:

- Service pressure;
- Type of forecasted connection;
- Eraser nominal diameter.

Standard specification

Muffler for steam traps discharge

- Model TN 35.....from ASCA
- According to prospect prospect PR-01.90.30-I
- Connection.....
- As per norm
- Pressure class
- Nominal diameter

ASCA EQUIPAMENTOS INDUSTRIAIS LTDA.

202, Fernandes da cunha Street- Vigário Geral - Rio de Janeiro - RJ - COD 21241-300
 Tel.: (21) 2472-6900 - Fax (21) 3014-7622 - e-mail: office@asca.com.br
 homepage: <http://www.asca.com.br>



We reserv the right of introducing fast modifications of technical order.
 COPYRIGHT 2000 BY ASCA INDUSTRIAL EQUIPMENTS LTDA.