

DIN PN 16 — DN 50 - 300 mm  
 ANSI 150 — 2" - 12"

11, 12

**Application**

Used for vent of ship tanks, to avoid the inlet of sea water into the tank in case of shipwreck or flooding.

**Main Characteristics**

- Automatic operation
- Stainless steel float
- Flanged connections
- According to international standards

**Construction**

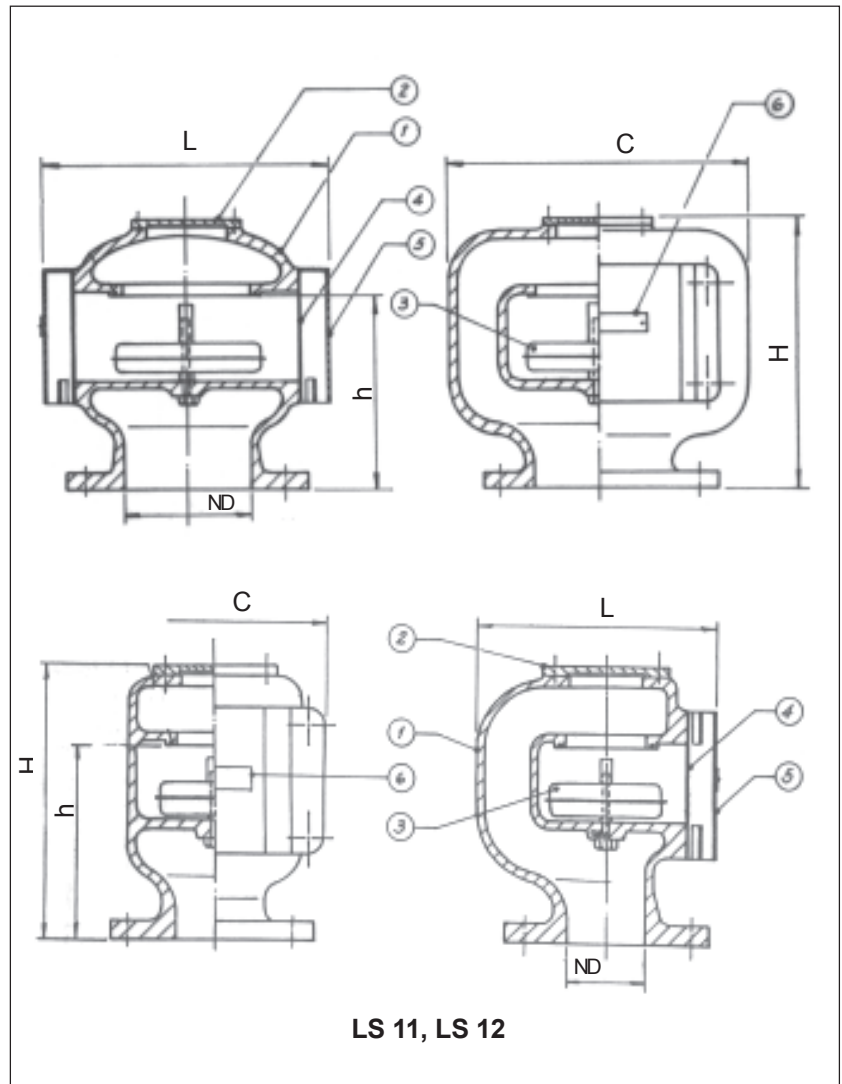
Compact body, with float type switch, with one flange connection.

**Installation**

Installed on the highest part of the vent of the ship tanks, end - of-line.  
 Easy installation and maintenance, shall be installed in the vertical position.

**Operation**

The valve is always open to the atmosphere in the presence of gases, such as those normally found in tank vents. In the presence of external liquid, the thrust due to over flooding raises the float, closing the valve.



**Ask for our sizing software**

**Materials and Connections\***

Models		LS 11					LS 12				
ND	mm	50	65	80	100	125	150	200	250	300	
	pol	2"	2 1/2"	3"	4"	5"	6"	8"	10"	12"	
Materials	N°	Description	Quant.	Specification							
	1	Body*	1	ASTMA 395			ASTMA 126 Gr B				
	2	Cover*	1	ASTMA 395			ASTMA 126 Gr B				
	3	Float and o-ring**	1	ASTMA 285 C			ASTMA 285 C				
	4	Screen	1	AISI 316			AISI 316				
	5	Hood	1	SAE 1020			SAE 1020				
	6	Tag	1	AISI 304			AISI 304				
<b>Connections:</b>		AISI B16.1 class 125 FF ANSI B 16.5 class 150 RF or DIN 2501 PN 16									

\* Other materials according to special request

\*\* Recommended spare parts

## Sizing Data

ASCA will gladly provide the sizing calculation. For this, please provide:

- Tank volume
- Stored fluid
- Feeding and discharge flow
- Maximum tank pressure and vacuum.

## Standard Specification

Vent cap

Model LS .....of ASCA

According to catalog: .....

Data sheet .....

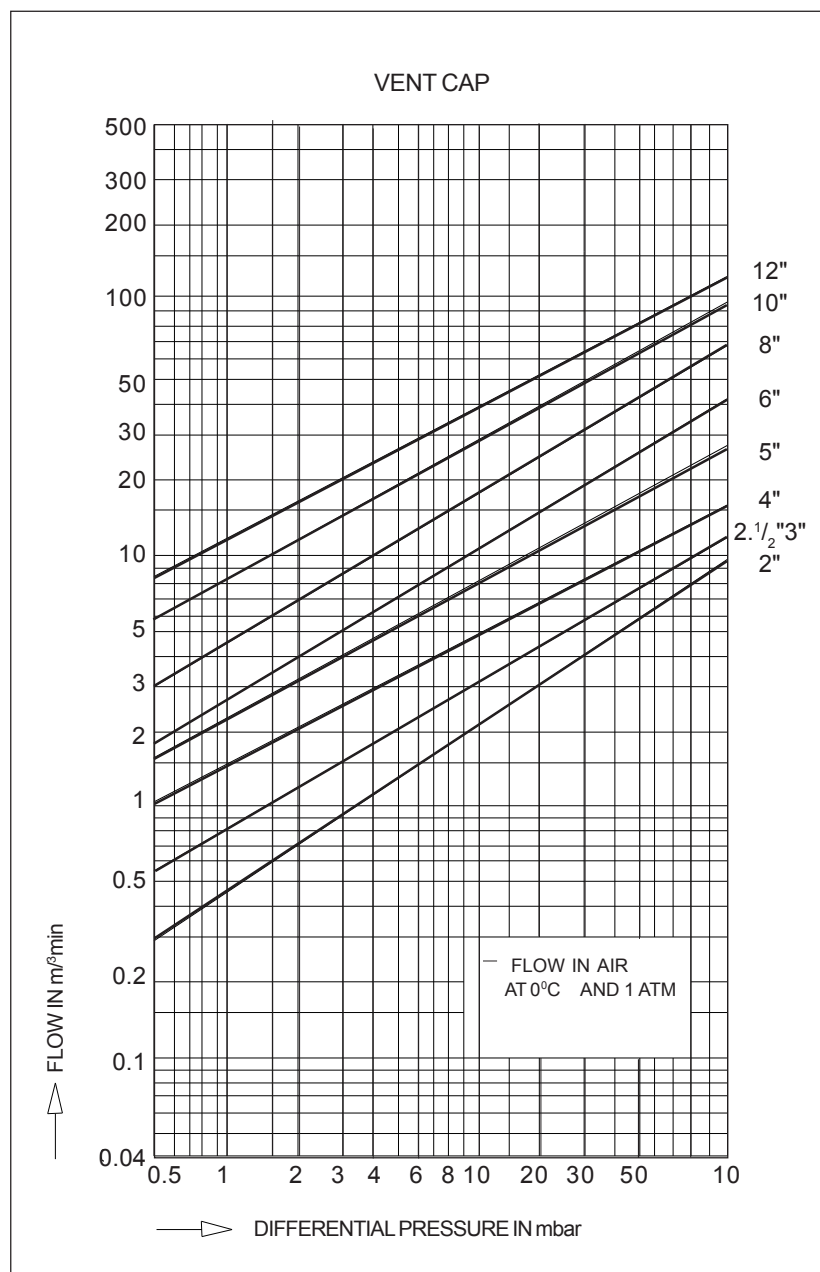
Flanged connection .....

According to standard .....

Nominal Diameter .....

## Dimensions and Weights

Model		LS 11 LS12									
		2"	2 1/2"	3"	4"	5"	6"	8"	10"	12"	
ND	pol										
Dimensions	mm										
	L	185	195	250	280	320	350	470	530	620	
	C	156	156	240	250	300	340	450	550	680	
	H	185	215	220	240	260	310	360	415	530	
	h	130	148	150	165	189	214	255	300	370	
Approx. weight	kg	12	15	18	20	28	32	60	85	120	



## ASCA EQUIPAMENTOS INDUSTRIAIS LTDA.

R. Fernandes da Cunha, 202- Vigário Geral - Rio de Janeiro - RJ - Brazil

CEP 21241-300 - Tel.: (21) 2472-6900 - Fax (21) 3014-7622

e-mail: office@asca.com.br - homepage: <http://www.asca.com.br>

SPECIFICATIONS SUBJECT TO CHANGE WITHOUT NOTICE.

Ask for certified print for exact dimensions