

Application

Pressure relief valves of the LR series were specially designed to work as emergency devices for deairing of tanks. The emergency vent is necessary when a sudden demand of exceptionally high flows (e.g. a fire in the containment basin of the tank), makes insufficient the deairing capacity of the normal pressure relief valves existing in the installation.

Main Characteristics

- May be used as manholes;
- Close automatically after the operation. Thus they significantly reduce the risk of flame inlet through the vent.

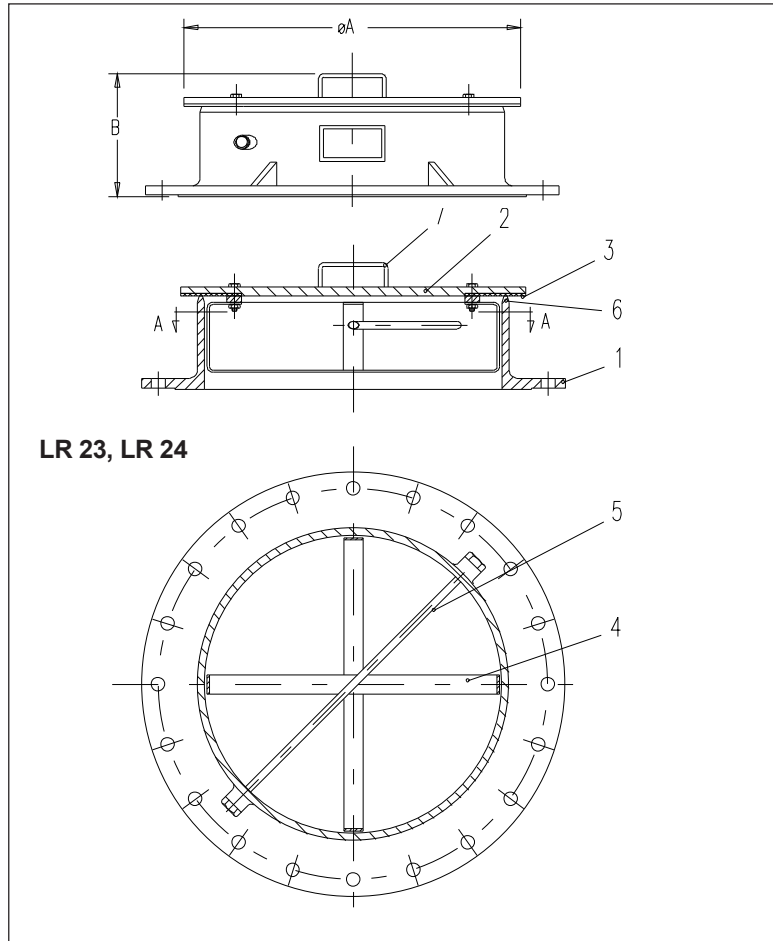
Construction

The valves consist of the following main parts: body, switch, and guides, and are provided calibrated for operation conditions according to the request of the customer.

Installation

The vent shall be inspected before the operation. It is indispensable that the sealing surfaces of the switch and the seat are perfectly clean and without damages. To check this, remove the stop bar and the switch.

Ask for our sizing software



LR 23, LR 24

N°	Description	Quantity
		LR 23, LR 24
1	Body	1
2	Switch	1
3*	Sealing	1
4	Switch guide	1
5	Travel limit stop	1
6	Seat	1
7	Handle	1

* Recommended spare parts

Materials and Connections

Model	LR 23	LR 24
ND	150 200 250 300 350 400 450 500 600 6" 8" 10" 12" 14" 16" 18" 20" 24"	
Body	ASTMA 216 WCB cast steel	ASTM A 351 CF8M (AISI 316) Stainless steel
Switch/cover	Aluminum for 4 to 10 mbar and AISI 316 for 10,1 to 25 mbar	
Seat	AISI 316 Stainless steel	
Travel limit stop	AISI 316 Stainless steel	
Sealing	Teflon*	
Connection*	ANSI B 16.1 125 Lbs FF or ANSI B 16.5 150 Lbs RF	

*Other material under request

the thickness of the flanges is reduced to decrease the total weight of the equipment.

Operation

When resting, the switch is seated in the body seat. After reaching the initial adjusted pressure, the switch begins to move, that is, the vent opens and the gases are exhausted.

Sizing

After detremining the required flow at fire conditions of API 2000, select the Nominal Diameter of the equipment in the flow graphic.

Sizing Data

ASCA will gladly provide the sizing calculation. For this, please provide:

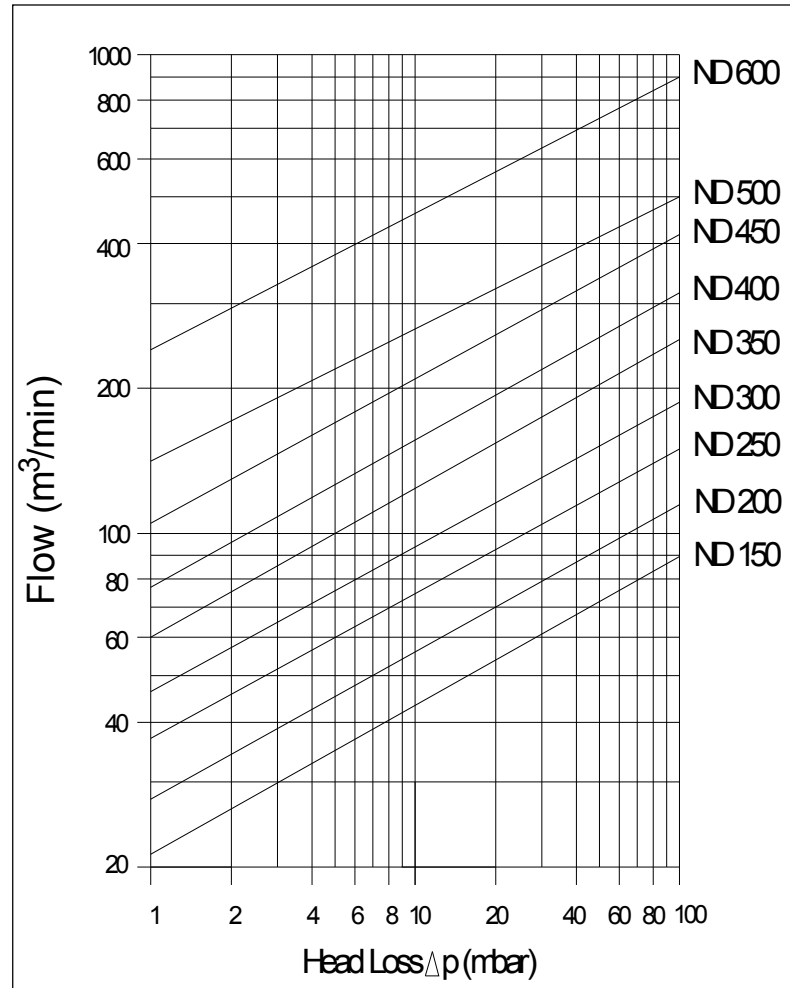
- Nominal diameter of the tank (m)
- Cylindrical height of the tank (m)
- Maximum allowable pressure (mbar)
- Valve opening pressure (mbar)
- Flow of loading and unloading pumps (m³/h)
- Desired connection standard
- ND of the existing vent pipes in case of tanks already in operation
- Stored product

Standard Specification

Automatic closing relief vents
 Model LR..... of ASCA
 According to catalog: PR-12.50.11-I
 Opening pressure+..... mbar
 Data sheet
 Flanged connection
 According to standard
 Pressure class
 Nominal Diameter

Dimensions and Weights

Model		LR 23					LR 24				
ND	mm	150	200	250	300	350	400	450	500	600	
	inch	6"	8"	10"	12"	14"	16"	18"	20"	24"	
Dimensions	mm										
	A	250	300	345	400	475	515	580	620	720	
	B	150	190	200	210	225	260	260	270	295	
	H	40	55	65	75	85	100	115	125	150	
Approx. weight	kg	10	15	20	25	28	30	33	50	62	



ASCA EQUIPAMENTOS INDUSTRIAIS LTDA.

R. Fernandes da Cunha, 202- Vigário Geral - Rio de Janeiro - RJ - Brazil
 CEP 21241-300 - Tel.: (21) 2472-6900 - Fax (21) 3014-7622
 e-mail: office@asca.com.br - homepage: http://www.asca.com.br

SPECIFICATIONS SUBJECT TO CHANGE WITHOUT NOTICE.

Ask for certified print for exact dimensions