

## Filter for piping Basket type



# FC

DIN PN 16- 40 — ND 15 - 300mm  
ANSI 150 - 300 — 1/2" - 12"

FC 11N, 33N

### Application

Filtration of any fluids in industrial piping.

### Main Characteristics

- Less head loss / more efficiency;
- Quick closing (optional flanged cover);
- Standard length (interchangeable with conventional type);
- Less frequent maintenance (basket with greater capacity than the conventional);
- Simple and sturdy construction;
- In liquid lines at atmospheric pressure, they do not overflow when the cover is removed;
- No need to empty the body of the filter for cleaning;
- Long lasting O-rings at the joint sealing;
- Easy basket removal and cleaning;
- Connections for drain, vent and manometer (optional);
- Manual opening (optional).

### Construction

Filter with flanged body, straight pass with 3 main elements:

Body (1), cover (5) and filter element (3) supplied in 0.8 to 1.6 mm perforated plate: drain plug (12), insert guide for the basket and support for high speeds avoiding basket inclination, allowing high capacity factor.

### Optional

Flanged cover, drain valve instead of plug, vent plug, differential pressure meter connection plugs. For greater filtering degree, the basket may be supplied in perforated plate with 1.8 mm holes lined with 25 microns screen. Baskets over 40 mesh are supplied with an O-ring between the body and the basket for better accommodation of the basket.

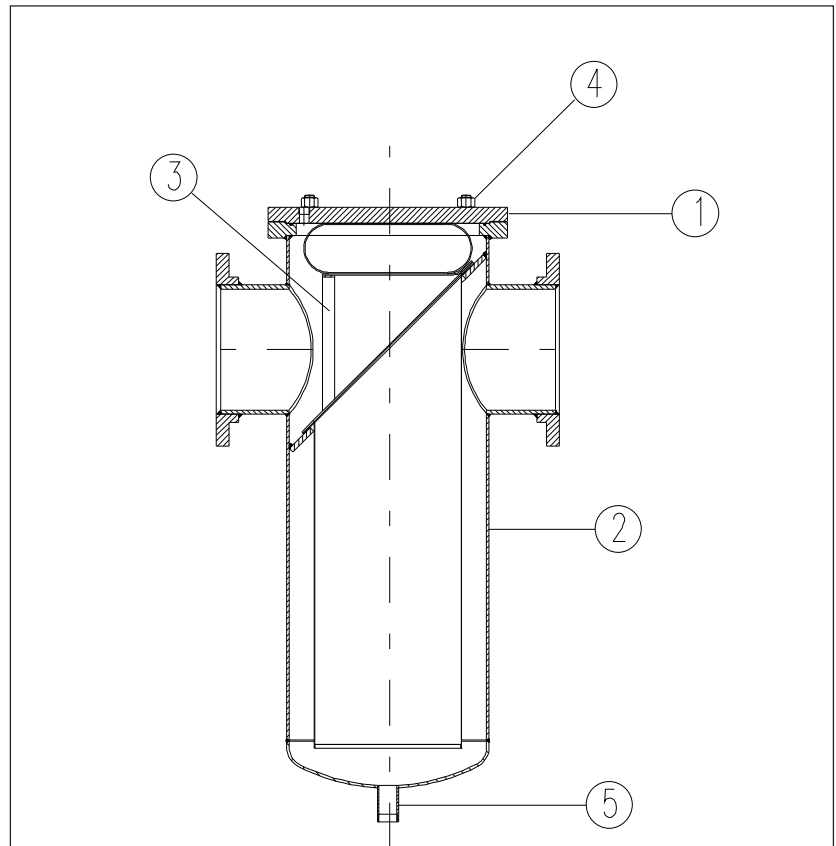
Quick opening, limited to the pressure conditions and ND of the flow.

### Installation

Installed in horizontal lines with the cover turned upwards. The flow direction arrow in the equipment body shall be observed and respected.

### Operation

The flow with contaminants passes through the body. The contaminants go the bottom of the basket while the filtered fluid follows the flow direction.



FC 11N. 33N With fast opening (optional)

Item	Description	Qty.	Item	Description	Qty.
1	Body	1	7	Arm	1
2	Elastic gasket	1*	8	Bushing	1
3	Basket	1*	9	Pin	1
4	Elastic gasket	1*	10	Cotter Pin	1
5	Cover	1	11	Ventilation Plug	1
6	Fixation screw	1	12	Drain Plug	1

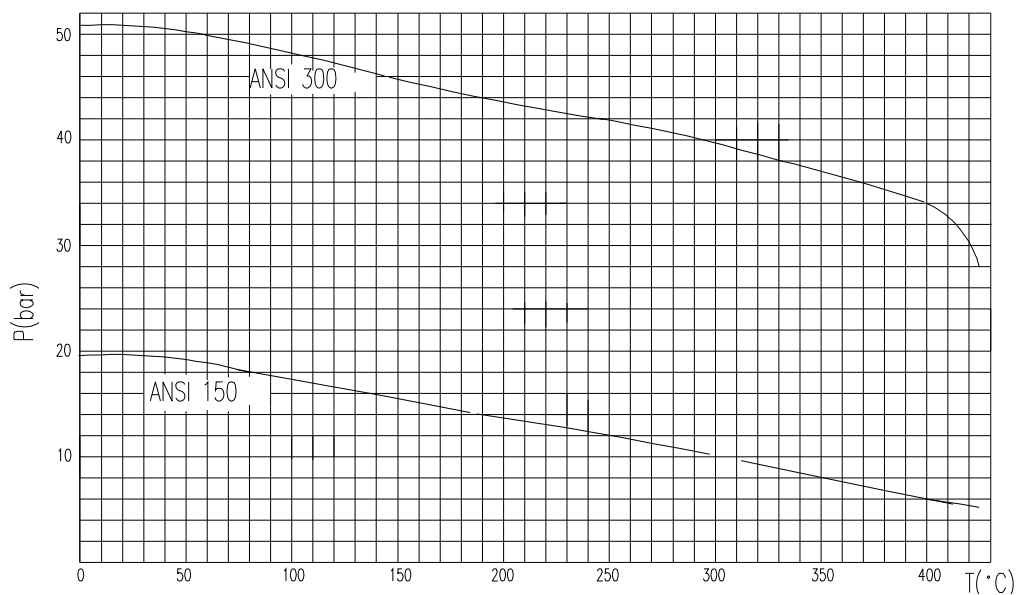
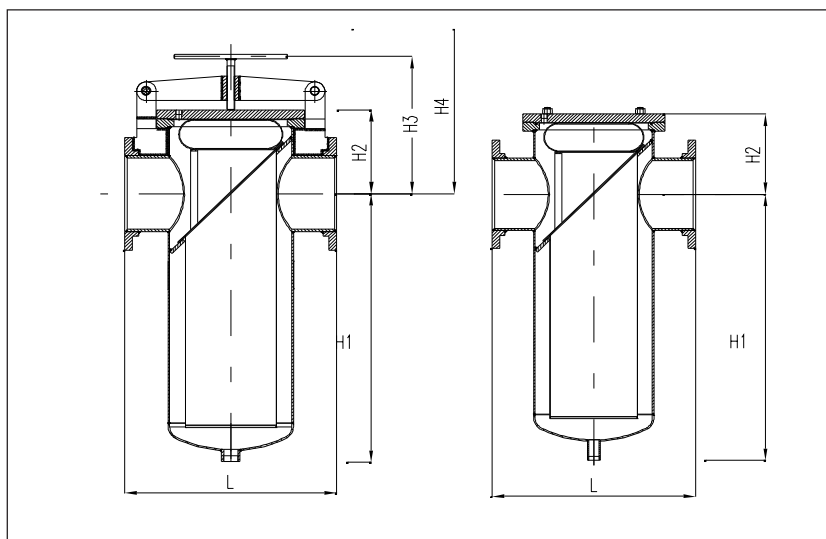
\* Recommended spare parts

## Dimensions and weights

ND	Inch mm	1/2" - 3/4" - 1" 15 - 20 - 25	1 1/2" 40	2" 50	2 1/2" 65	3" 80	4" 100	6" 150	8" 200	10" 250	12" 300
Dimensions in mm	L	200	216	292	308	362	425	584	710	864	860
	H <sub>1</sub>	103	158	200	233	270	370	514	700	790	1100
	H <sub>2</sub>	56	71	95	105	120	155	190	220	270	356
	H <sub>3</sub>	97	136	225	235	250	305	340	390	460	585
	H <sub>4</sub>	~147	~200	~260	~300	~360	~480	~650	~960	~1210	~1580
Standard basket perforation	mm	0,8	0,8	0,8	1,2	1,2	1,2	1,2	1,6	1,6	1,6
	Mesh	20	20	20	16	16	16	16	12	12	12
Approximate weight in kg		11	19	23	30	38	70	170	270	380	600

## Sizing Data

Basically, the filter shall have the same ND of the line where it shall be installed. The filtering degree of the basket shall be sized. The head loss of the filter for standard basket F is 2 times the length L of the filter.



## ASCA EQUIPAMENTOS INDUSTRIAIS LTDA.

R. Fernandes da Cunha, 202- Vigário Geral - Rio de Janeiro - RJ - Brazil  
 CEP 21241-300 - Tel.: (21) 2472-6900 - Fax (21) 3014-7622  
 e-mail: office@asca.com.br - homepage: <http://www.asca.com.br>

SPECIFICATIONS SUBJECT TO CHANGE WITHOUT NOTICE.

Ask for certified print for exact dimensions